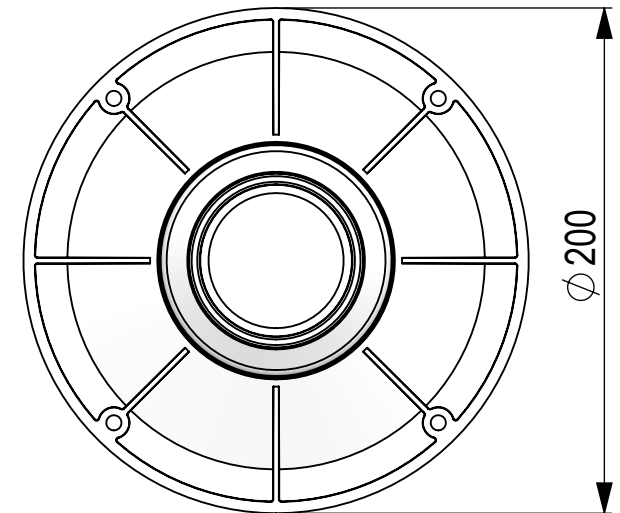
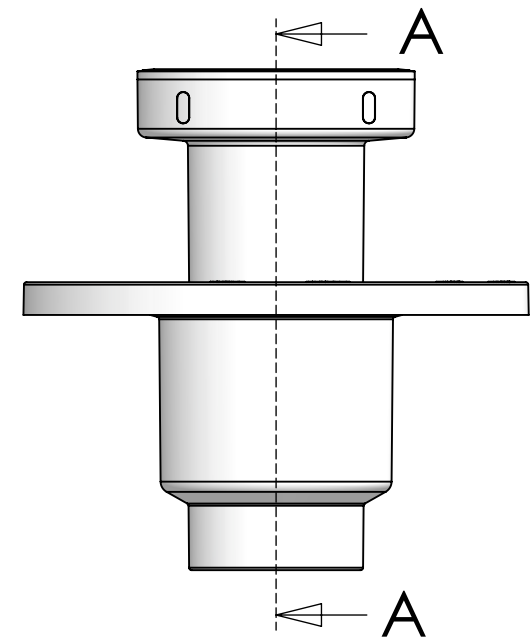


SECTION A-A



ITEM NO.	QTY	PART NO.	MATERIAL
1	1	wc2flange	ABS Plastic
2	1	wc3base	Polypropylene (PP)
3	1	wc4cap	Polypropylene (PP)
4	1	wc3insert	ABS Plastic

THIS DRAWING IS THE PROPERTY OF "THE CLIENT" IT IS PRIVATE AND CONFIDENTIAL AND IS SUPPLIED ON THE EXPRESS UNDERSTANDING THAT IT IS NOT TO BE USED FOR ANY PURPOSE OR COPIED OR COMMUNICATED TO ANY OTHER PERSON WITHOUT THE WRITTEN PERMISSION OF "THE CLIENT"		3Di INDUSTRIAL DESIGN Gold Coast - Australia Ph: (07) 55326 327 Mob: 0414 321 237	
MATERIAL:		SCALE: 1:3	
FINISH:		DRAWN: A.Rodd	
1 CRITICAL DIMENSION		CHECKED:	
1 MAJOR DIMENSION		DATE: 1/09/2015	
A MINOR DIMENSION		ALL DIMEN'S IN mm	
		PROJECT DRAWING NO.	
		DESCRIPTION	
		VERSION	

Wondercap Pty Ltd
 CLIENT:
wc432k

PROJECT DRAWING NO. DESCRIPTION VERSION